

# Adirondack Chair - Assembly Instructions

## Introduction

Please read these instructions fully before starting.

Understanding of the whole process will help to ensure an easy build.

If there are any parts that are unclear then please call us on 01483489002 for clarification.

Work on a large level surface where you can move around all sides of the chair. It is easier to walk around the chair rather than to have to rotate the chair to your position.

## What's Included

Chair Seat Assembly - front legs attached  
Chair Back Assembly  
2 Arms

### Fixings pack containing

12 - 4 X 40mm Screws  
2 X 50mm stainless steel machine screws and nuts.  
2 X 70mm stainless steel machine screws and nuts.  
(2 machine screws already attached)  
1 cocktail stick to help with alignment.

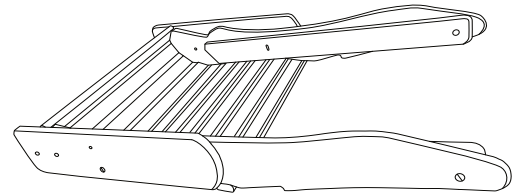
## Tools Required

Cross screwdriver.  
Flat screwdriver  
10mm Spanner.

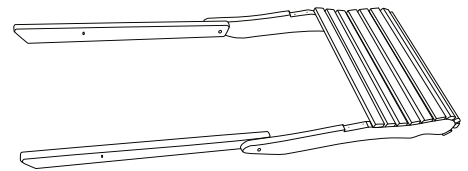
## Screws and fixings

All the screws and fittings are stainless steel. If a screw is proving stubborn, check that it is fully aligned with the pilot hole.  
Do not use excessive force.

For protection and ease of assembly the rear legs are supplied already attached but rotated beneath the seat unit as shown.



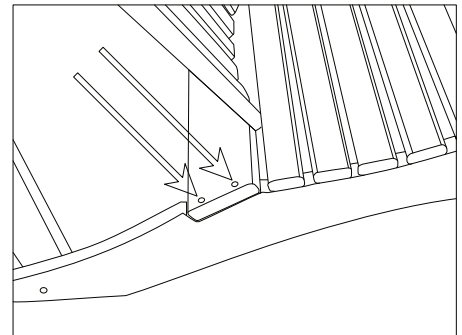
Start by rotating the legs out towards the rear of the chair. Lay them flat on the ground behind the seat assembly.



Hold the back assembly in the cutout area in the side of the seat and rotate the rear legs into an upright position, placing their ends under the curved rail at the top of the back assembly.

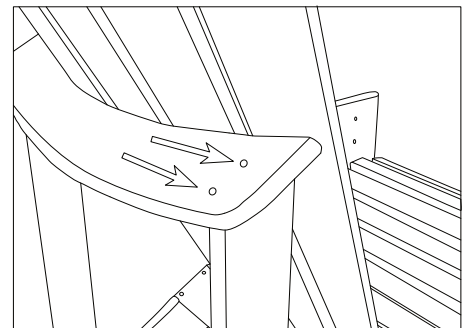
Insert four screws through the predrilled holes in the lower back rail.

You can align these easily by placing the cocktail stick through one hole. Remove the stick before inserting the screw.



Insert one screw on each side of the top back rail. Use the cocktail stick in the other hole to align with the holes in the top of the back legs.

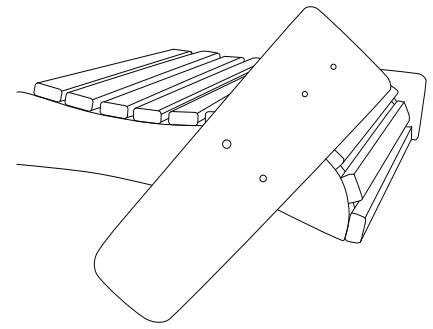
Remove the cocktail stick and drive a screw into each of the other predrilled holes.



Front Legs are already attached to the seat assembly with a single machine screw.

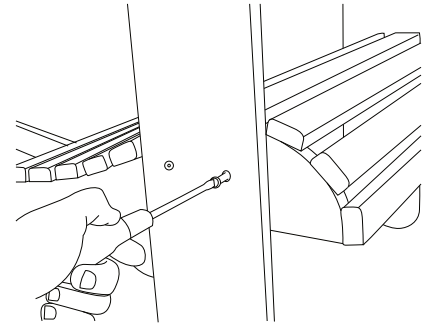
Rotate them into the correct position, aligning with the corresponding holes in the side of the seat assembly.

If necessary, slightly loosen the machine screw before rotating.



Insert one of the machine screws into each remaining hole (1 on each side), place a nut on the other end and fasten them loosely.

If there is resistance as you insert the fixing you may need to adjust the alignment slightly.



Insert one long machine screw through the hole in the back of each arm. insert this screw through the hole that is about halfway up the rear leg.

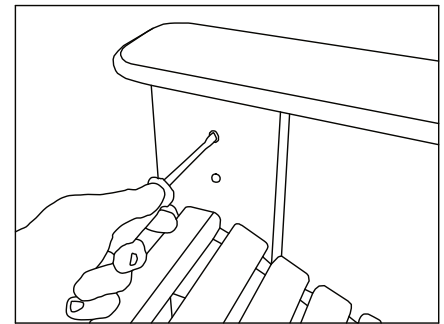
Fasten a nut loosely onto the bolt through the rear leg. Repeat for the other arm.

Move to the front of the chair and insert the cocktail stick through the hole in one front leg and line up with the hole in the arm bracket.

Insert a screw through the other hole and drive it in fully.

Remove the cocktail stick and insert the other screw.

Repeat for the other arm.



Return to each of the machine screws that you have loosely fixed and fully tighten them to finish the assembly.

Please check that all of the screws and nuts are firmly tightened before using the chair.

